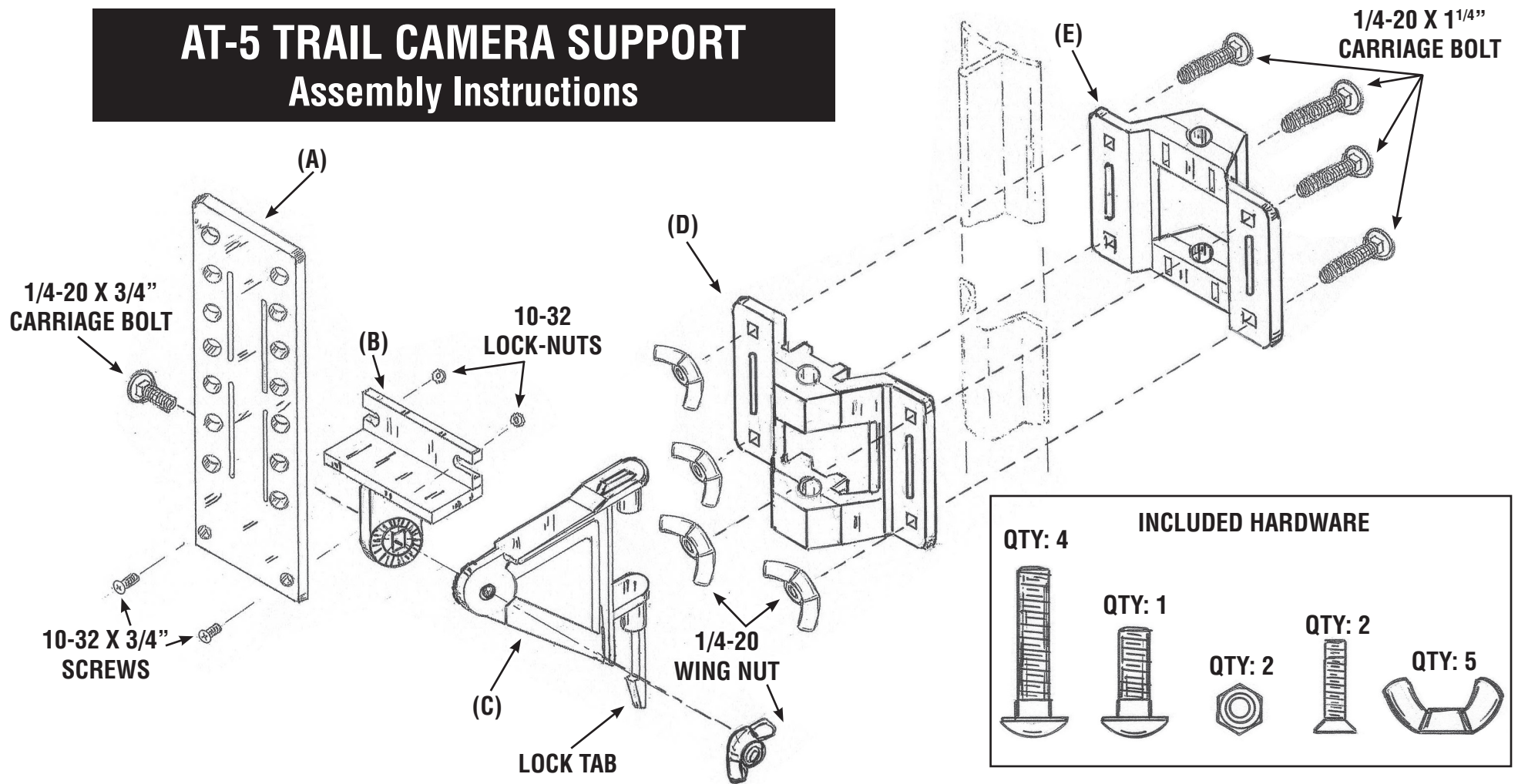


# AT-5 TRAIL CAMERA SUPPORT

## Assembly Instructions



### STEP #1:

Attach camera support plate (A) to platform (B) using two (10-32 X 3/4") flat head machine screws and locking nuts.

### STEP #2:

Join above unit (from STEP #1) to arm (C) with (1/4-20 X 3/4") carriage bolt and wing nut.

### STEP #3:

Mount bracket halves (D) and (E) to fence post using four (1/4-20 X 1-1/4") carriage bolts and wing nuts.

### STEP #4: (See Illustration on Back)

When mounting to a tree, use bracket (D) and secure using the long strap.

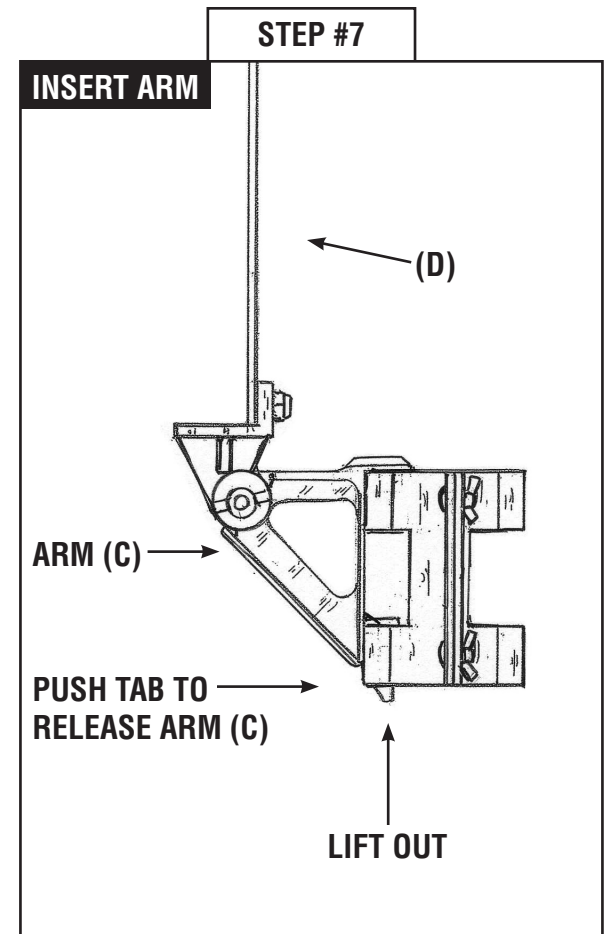
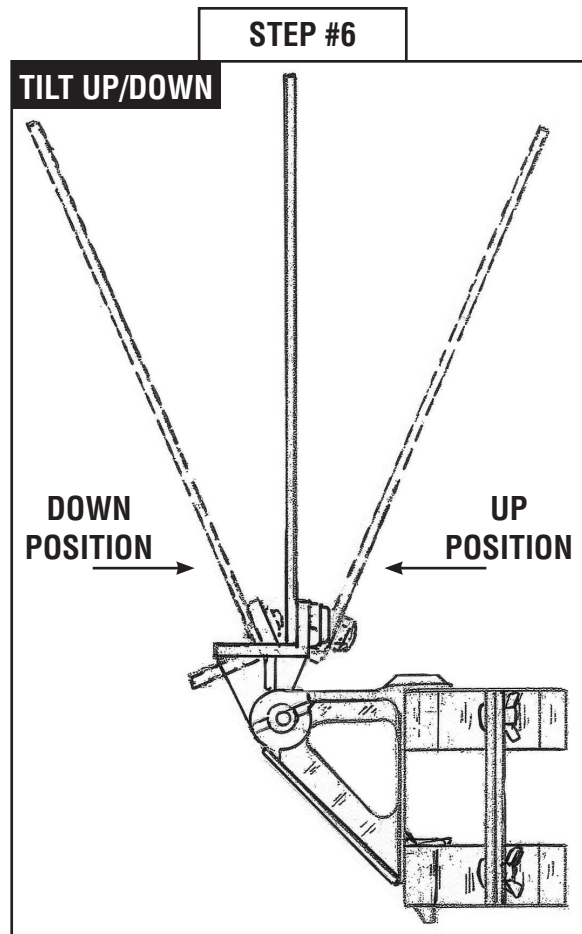
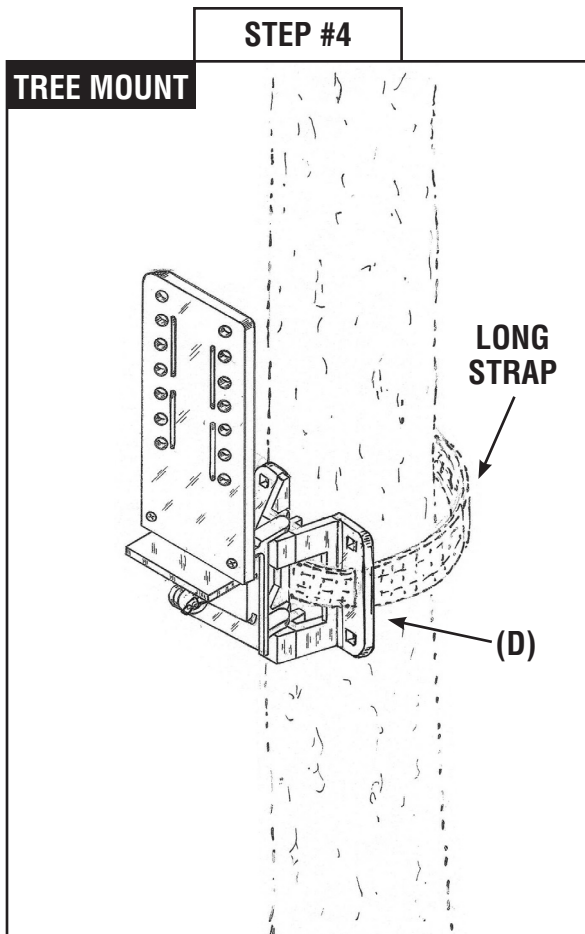
### STEP #5:

Snap in arm (C) to bracket (D) or (E). (NOTE: Camera mount can be used on either side of bracket half). Lock tab must catch bottom edge as shown.

### STEP #6: (See Illustration on Back)

Adjust/tilt up or down for desired angle of camera.

**MORE ON OTHER SIDE** →



**STEP #7:**

To release arm (C) push lock tab back as shown, then lift arm (C) out of the holes.

**STEP #8:**

To set camera mount to the left or right positions, remove arm (C) and re-insert it in the left or right fixed position. **NOTE:** do not try to "push" arm (C) to left/right, always remove and re-insert it to avoid breakage.

**STEP #9:**

Mount your camera using the short strap.

